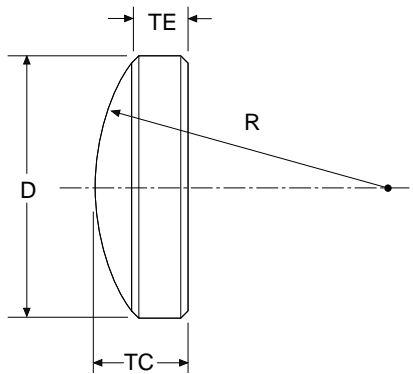


BK7平凸レンズ CVI QuantaGlas™

PXB BK7 Spherical Plano-Convex, CVI QuantaGlas™



基板材質	BK7
面精度	$\lambda/2$ (@633 nm、コーティング前において)
表面品位	40-20、MIL-PRF-13830Bによる
寸法公差	+ 0.00 mm、 0.25 mm
厚みの公差	± 0.25 mm
面取り	0.35 mm、45°標準
同心円度	≤ 0.05 mm
焦点距離の公差	$\pm 3\%$ (@633 nm、標準)
減反射コーティング	ユーザーにより指定、 $R_{avg} \leq 0.5\%$ /1面
有効径	直径中心の85%以上
損傷しきい値	10 J/cm ² 、20 ns、20 Hz(パルス @1064 nm) 1 MW/cm ² (CW @1064 nm)

汎用の結像系および低出力レーザー向けの用途に適したポロシリケートガラス製単レンズ

CVIメスグリオの全ての低損失、高エネルギー用ARコーティングを施す事が可能
レンズマウントもご用意

表面品位10-5、CVIレーザークオリティのPLCX-Cシリーズもご用意

ご注文方法

PXB-25.4-20.5-C

425-675

レンズの製品番号

ARコーティングの波長(nm)

425-675 670-1064 1064

BK7製平凸レンズ、CVI QuantaGlas™

標準焦点距離 f (mm)	直径 D (mm)	f@532 nm (mm)	f@633 nm (mm)	f@1064 nm (mm)	f@1319 nm (mm)	曲率半径 R (mm)	Tc (mm)	Te (mm)	製品番号
8.0	4.3	7.9	8.0	8.1	8.1	4.1	1.6	1.0	PXB-4.3-4.1-C
10.0	5.0	10.0	10.1	10.3	10.3	5.2	1.4	0.8	PXB-5.0-5.2-C
10.0	8.0	10.0	10.1	10.3	10.3	5.2	3.4	1.5	PXB-8.0-5.2-C
10.0	7.6	10.0	10.1	10.3	10.3	5.2	2.3	0.5	PXB-7.6-5.2-C
12.0	8.0	12.3	12.4	12.6	12.7	6.4	3.0	1.5	PXB-8.0-6.4-C
12.0	6.4	12.3	12.4	12.6	12.7	6.4	3.8	3.0	PXB-6.4-6.4-C
13.0	7.5	13.1	13.2	13.4	13.5	6.8	2.0	0.9	PXB-7.5-6.8-C
14.0	5.0	14.8	14.9	15.2	15.3	7.7	1.6	1.2	PXB-5.0-7.7-C
14.0	8.0	14.8	14.9	15.2	15.3	7.7	3.1	2.0	PXB-8.0-7.7-C
14.0	10.0	14.8	14.9	15.2	15.3	7.7	3.8	2.0	PXB-10.0-7.7-C
14.0	7.0	14.8	14.9	15.2	15.3	7.7	2.0	1.2	PXB-7.0-7.7-C
16.0	6.0	16.7	16.9	17.2	17.3	8.7	2.5	2.0	PXB-6.0-8.7-C
16.0	8.0	16.7	16.9	17.2	17.3	8.7	2.3	1.4	PXB-8.0-8.7-C
18.0	8.0	17.9	18.1	18.4	18.5	9.3	2.9	2.0	PXB-8.0-9.3-C
18.0	15.0	17.9	18.1	18.4	18.5	9.3	5.7	1.9	PXB-15.0-9.3-C
19.0	15.0	19.8	20.0	20.3	20.5	10.3	5.2	2.0	PXB-15.0-10.3-C
19.0	12.7	19.8	20.0	20.3	20.5	10.3	4.2	2.0	PXB-12.7-10.3-C
19.0	10.0	19.8	20.0	20.3	20.5	10.3	2.3	1.0	PXB-10.0-10.3-C
19.0	5.0	19.8	20.0	20.3	20.5	10.3	3.9	2.6	PXB-5.0-10.3-C
24.0	12.7	23.9	24.1	24.5	24.6	12.4	3.2	1.5	PXB-12.7-12.4-C

(次ページへ続く)

BK7製平凸レンズ、CVI QuantaGlas™

標準焦点 距離 f (mm)	直径 D (mm)	f@532 nm (mm)	f@633 nm (mm)	f@1064 nm (mm)	f@1319 nm (mm)	曲率半径 R (mm)	Tc (mm)	Te (mm)	製品番号
25.0	5.0	24.8	25.0	25.5	25.6	12.9	1.3	1.1	PXB-5.0-12.9-C
25.0	8.0	24.8	25.0	25.5	25.6	12.9	4.0	3.4	PXB-8.0-12.9-C
25.0	10.0	24.8	25.0	25.5	25.6	12.9	3.0	2.0	PXB-10.0-12.9-C
25.0	12.7	24.8	25.0	25.5	25.6	12.9	3.7	2.0	PXB-12.7-12.9-C
25.0	15.0	24.8	25.0	25.5	25.6	12.9	4.9	2.5	PXB-15.0-12.9-C
25.0	25.4	24.8	25.0	25.5	25.6	12.9	11.4	0.8	PXB-25.4-12.9-C
25.0	6.4	24.8	25.0	25.5	25.6	12.9	3.0	2.6	PXB-6.4-12.9-C
25.0	12.7	24.8	25.0	25.5	25.6	12.9	4.0	2.3	PXB-12.7-12.9-C
30.0	10.0	29.8	30.1	30.6	30.8	15.5	2.8	2.0	PXB-10.0-15.5-C
30.0	11.0	29.8	30.1	30.6	30.8	15.5	1.8	0.8	PXB-11.0-15.5-C
30.0	12.7	29.8	30.1	30.6	30.8	15.5	3.0	1.6	PXB-12.7-15.5-C
30.0	15.0	29.8	30.1	30.6	30.8	15.5	3.9	2.0	PXB-15.0-15.5-C
30.0	18.5	29.8	30.1	30.6	30.8	15.5	5.0	1.9	PXB-18.5-15.5-C
30.0	25.4	29.8	30.1	30.6	30.8	15.5	8.3	1.7	PXB-25.4-15.5-C
31.0	7.0	30.8	31.1	31.6	31.8	16.0	1.7	1.5	PXB-7.0-16.0-C
31.0	10.0	30.8	31.1	31.6	31.8	16.0	1.9	1.1	PXB-10.0-16.0-C
31.0	12.0	30.8	31.1	31.6	31.8	16.0	2.6	1.4	PXB-12.0-16.0-C
31.0	25.4	31.4	31.6	32.2	32.4	16.3	7.9	1.9	PXB-25.4-16.3-C
32.0	6.3	31.8	32.0	32.6	32.8	16.5	1.6	1.3	PXB-6.3-16.5-C
33.0	20.0	32.9	33.2	33.8	34.0	17.1	4.7	1.5	PXB-20.0-17.1-C
33.0	6.2	32.9	33.2	33.8	34.0	17.1	1.4	1.1	PXB-6.2-17.1-C
34.0	8.0	34.7	34.9	35.5	35.8	18.0	1.5	1.0	PXB-8.0-18.0-C
34.0	10.0	34.7	34.9	35.5	35.8	18.0	2.2	1.5	PXB-10.0-18.0-C
34.0	15.0	34.7	34.9	35.5	35.8	18.0	4.6	3.0	PXB-15.0-18.0-C
34.0	20.0	34.7	34.9	35.5	35.8	18.0	4.2	1.2	PXB-20.0-18.0-C
34.0	25.4	34.7	34.9	35.5	35.8	18.0	7.0	1.8	PXB-25.4-18.0-C
38.0	8.0	37.7	38.1	38.7	38.9	19.6	3.0	2.6	PXB-8.0-19.6-C
38.0	12.7	37.7	38.1	38.7	38.9	19.6	4.0	3.0	PXB-12.7-19.6-C
38.0	20.0	37.7	38.1	38.7	38.9	19.6	3.9	1.2	PXB-20.0-19.6-C
38.0	25.4	37.7	38.1	38.7	38.9	19.6	7.2	2.5	PXB-25.4-19.6-C
38.0	6.2	37.7	38.1	38.7	38.9	19.6	1.8	1.5	PXB-6.2-19.6-C
39.0	10.0	39.5	39.8	40.5	40.7	20.5	2.6	2.0	PXB-10.0-20.5-C
39.0	12.7	39.5	39.8	40.5	40.7	20.5	4.0	3.0	PXB-12.7-20.5-C
39.0	15.0	39.5	39.8	40.5	40.7	20.5	3.4	2.0	PXB-15.0-20.5-C
39.0	20.0	39.5	39.8	40.5	40.7	20.5	5.3	2.7	PXB-20.0-20.5-C
39.0	25.4	39.5	39.8	40.5	40.7	20.5	6.2	1.9	PXB-25.4-20.5-C
42.0	15.0	42.4	42.7	43.4	43.7	22.0	5.2	3.9	PXB-15.0-22.0-C
46.0	20.0	46.6	47.0	47.8	48.1	24.2	3.2	1.0	PXB-20.0-24.2-C
50.0	8.0	49.7	50.1	50.9	51.2	25.8	2.0	1.7	PXB-8.0-25.8-C
50.0	25.4	49.7	50.1	50.9	51.2	25.8	5.2	1.9	PXB-25.4-25.8-C
50.0	6.2	49.7	50.1	50.9	51.2	25.8	1.3	1.1	PXB-6.2-25.8-C
50.0	10.0	49.7	50.1	50.9	51.2	25.8	2.5	2.0	PXB-10.0-25.8-C
50.0	20.0	49.7	50.1	50.9	51.2	25.8	3.7	1.6	PXB-20.0-25.8-C
50.0	25.4	49.7	50.1	50.9	51.2	25.8	5.2	1.9	PXB-25.4-25.8-C
50.0	38.1	49.7	50.1	50.9	51.2	25.8	10.3	2.0	PXB-38.1-25.8-C

(次ページへ続く)

BK7製平凸レンズ、CVI QuantaGlas™

標準焦点 距離 f (mm)	直径 D (mm)	f@532 nm (mm)	f@633 nm (mm)	f@1064 nm (mm)	f@1319 nm (mm)	曲率半径 R (mm)	Tc (mm)	Te (mm)	製品番号
50.0	12.7	49.7	50.1	50.9	51.2	25.8	2.0	1.2	PXB-12.7-25.8-C
50.0	15.0	49.7	50.1	50.9	51.2	25.8	5.3	4.2	PXB-15.0-25.8-C
59.0	8.0	59.5	60.0	61.0	61.4	30.9	2.1	1.8	PXB-8.0-30.9-C
59.0	10.0	59.5	60.0	61.0	61.4	30.9	2.1	1.7	PXB-10.0-30.9-C
59.0	12.7	59.5	60.0	61.0	61.4	30.9	2.1	1.4	PXB-12.7-30.9-C
59.0	15.0	59.5	60.0	61.0	61.4	30.9	2.9	2.0	PXB-15.0-30.9-C
59.0	18.0	59.5	60.0	61.0	61.4	30.9	5.6	4.3	PXB-18.0-30.9-C
59.0	25.4	59.5	60.0	61.0	61.4	30.9	4.6	1.9	PXB-25.4-30.9-C
59.0	38.1	59.5	60.0	61.0	61.4	30.9	8.5	2.0	PXB-38.1-30.9-C
63.0	25.4	62.6	63.1	64.1	64.6	32.5	4.5	2.0	PXB-25.4-32.5-C
63.0	38.1	62.6	63.1	64.1	64.6	32.5	8.0	1.9	PXB-38.1-32.5-C
63.0	50.8	62.6	63.1	64.1	64.6	32.5	12.5	0.3	PXB-50.8-32.5-C
63.0	15.0	62.9	63.5	64.5	65.0	32.7	2.1	1.4	PXB-15.0-32.7-C
70.0	10.0	69.5	70.1	71.3	71.7	36.1	2.3	2.0	PXB-10.0-36.1-C
70.0	12.7	69.5	70.1	71.3	71.7	36.1	2.6	2.0	PXB-12.7-36.1-C
70.0	15.0	69.5	70.1	71.3	71.7	36.1	2.8	2.0	PXB-15.0-36.1-C
70.0	40.0	69.5	70.1	71.3	71.7	36.1	7.9	1.9	PXB-40.0-36.1-C
70.0	50.8	69.5	70.1	71.3	71.7	36.1	13.4	3.0	PXB-50.8-36.1-C
73.0	12.5	73.2	73.8	75.0	75.5	38.0	4.0	3.5	PXB-12.5-38.0-C
73.0	12.7	73.2	73.8	75.0	75.5	38.0	4.0	3.5	PXB-12.7-38.0-C
73.0	15.0	73.3	74.0	75.2	75.7	38.1	2.0	1.4	PXB-15.0-38.1-C
73.0	25.4	73.3	74.0	75.2	75.7	38.1	7.2	5.0	PXB-25.4-38.1-C
74.0	10.0	74.3	74.9	76.2	76.7	38.6	2.0	1.6	PXB-10.0-38.6-C
74.0	12.7	74.3	74.9	76.2	76.7	38.6	2.0	1.3	PXB-12.7-38.6-C
74.0	25.4	74.3	74.9	76.2	76.7	38.6	3.6	1.5	PXB-25.4-38.6-C
74.0	38.1	74.3	74.9	76.2	76.7	38.6	7.0	2.0	PXB-38.1-38.6-C
74.0	50.8	74.3	74.9	76.2	76.7	38.6	11.2	1.7	PXB-50.8-38.6-C
75.0	12.7	74.9	75.5	76.8	77.3	38.9	2.0	1.5	PXB-12.7-38.9-C
76.0	25.4	75.5	76.1	77.4	77.9	39.2	4.1	2.0	PXB-25.4-39.2-C
76.0	50.8	75.5	76.1	77.4	77.9	39.2	12.1	2.8	PXB-50.8-39.2-C
79.0	10.0	78.3	79.0	80.3	80.8	40.7	2.3	2.0	PXB-10.0-40.7-C
79.0	12.7	78.3	79.0	80.3	80.8	40.7	2.5	2.0	PXB-12.7-40.7-C
79.0	15.0	78.3	79.0	80.3	80.8	40.7	2.7	2.0	PXB-15.0-40.7-C
79.0	25.4	78.3	79.0	80.3	80.8	40.7	3.9	1.9	PXB-25.4-40.7-C
79.0	38.1	78.3	79.0	80.3	80.8	40.7	6.6	2.0	PXB-38.1-40.7-C
79.0	40.0	78.3	79.0	80.3	80.8	40.7	10.3	5.0	PXB-40.0-40.7-C
79.0	50.8	78.3	79.0	80.3	80.8	40.7	11.7	3.0	PXB-50.8-40.7-C
89.0	12.7	88.4	89.1	90.6	91.2	45.9	3.4	3.0	PXB-12.7-45.9-C
89.0	25.4	88.4	89.1	90.6	91.2	45.9	4.8	3.0	PXB-25.4-45.9-C
89.0	50.8	88.4	89.1	90.6	91.2	45.9	10.7	3.0	PXB-50.8-45.9-C
89.0	25.4	89.1	89.9	91.4	92.0	46.3	3.7	2.0	PXB-25.4-46.3-C
89.0	40.0	89.1	89.9	91.4	92.0	46.3	8.2	3.7	PXB-40.0-46.3-C
89.0	50.8	89.1	89.9	91.4	92.0	46.3	10.3	2.7	PXB-50.8-46.3-C
94.0	25.4	94.1	94.9	96.5	97.1	48.9	6.3	4.6	PXB-25.4-48.9-C
100.0	10.0	99.1	100.0	101.7	102.3	51.5	2.2	2.0	PXB-10.0-51.5-C

(次ページへ続く)

BK7製平凸レンズ、CVI QuantaGlas™

標準焦点距離 f (mm)	直径 D (mm)	f@532 nm (mm)	f@633 nm (mm)	f@1064 nm (mm)	f@1319 nm (mm)	曲率半径 R (mm)	Tc (mm)	Te (mm)	製品番号
100.0	12.7	99.1	100.0	101.7	102.3	51.5	2.4	2.0	PXB-12.7-51.5-C
100.0	15.0	99.1	100.0	101.7	102.3	51.5	2.5	2.0	PXB-15.0-51.5-C
100.0	25.4	99.1	100.0	101.7	102.3	51.5	3.5	1.9	PXB-25.4-51.5-C
100.0	38.1	99.1	100.0	101.7	102.3	51.5	5.6	2.0	PXB-38.1-51.5-C
100.0	50.8	99.1	100.0	101.7	102.3	51.5	9.6	3.0	PXB-50.8-51.5-C
120.0	15.0	119.0	120.0	122.0	122.8	61.8	2.5	2.0	PXB-15.0-61.8-C
120.0	16.0	119.0	120.0	122.0	122.8	61.8	1.6	1.0	PXB-16.0-61.8-C
120.0	25.4	119.0	120.0	122.0	122.8	61.8	3.3	2.0	PXB-25.4-61.8-C
120.0	38.1	119.0	120.0	122.0	122.8	61.8	5.0	2.0	PXB-38.1-61.8-C
120.0	50.8	119.0	120.0	122.0	122.8	61.8	8.2	2.8	PXB-50.8-61.8-C
125.0	10.0	124.0	125.0	127.1	127.9	64.4	2.6	2.4	PXB-10.0-64.4-C
125.0	15.0	124.0	125.0	127.1	127.9	64.4	1.4	1.0	PXB-15.0-64.4-C
125.0	38.1	124.0	125.0	127.1	127.9	64.4	6.0	3.1	PXB-38.1-64.4-C
125.0	50.8	124.0	125.0	127.1	127.9	64.4	8.0	2.9	PXB-50.8-64.4-C
126.0	25.4	125.9	127.0	129.1	129.9	65.4	3.2	2.0	PXB-25.4-65.4-C
139.0	25.4	138.8	140.0	142.3	143.2	72.1	3.1	2.1	PXB-25.4-72.1-C
150.0	10.0	148.8	150.1	152.6	153.5	77.3	1.9	1.7	PXB-10.0-77.3-C
150.0	12.7	148.8	150.1	152.6	153.5	77.3	3.0	2.7	PXB-12.7-77.3-C
150.0	15.0	148.8	150.1	152.6	153.5	77.3	2.4	2.0	PXB-15.0-77.3-C
150.0	20.0	148.8	150.1	152.6	153.5	77.3	4.1	3.5	PXB-20.0-77.3-C
150.0	38.1	148.8	150.1	152.6	153.5	77.3	6.0	3.6	PXB-38.1-77.3-C
150.0	50.8	148.8	150.1	152.6	153.5	77.3	7.0	2.7	PXB-50.8-77.3-C
159.0	10.0	158.6	160.0	162.6	163.7	82.4	2.1	1.9	PXB-10.0-82.4-C
159.0	25.4	158.6	160.0	162.6	163.7	82.4	4.0	3.0	PXB-25.4-82.4-C
159.0	50.8	158.6	160.0	162.6	163.7	82.4	7.0	3.0	PXB-50.8-82.4-C
174.0	50.0	173.3	174.7	177.6	178.8	90.0	10.3	6.8	PXB-50.0-90.0-C
176.0	25.4	174.8	176.3	179.2	180.4	90.8	3.9	3.0	PXB-25.4-90.8-C
176.0	50.8	174.8	176.3	179.2	180.4	90.8	6.6	3.0	PXB-50.8-90.8-C
178.0	48.0	177.1	178.6	181.6	182.7	92.0	10.3	7.1	PXB-48.0-92.0-C
190.0	10.0	188.7	190.3	193.4	194.7	98.0	2.2	2.0	PXB-10.0-98.0-C
199.0	25.4	198.3	200.0	203.3	204.6	103.0	4.0	3.2	PXB-25.4-103.0-C
200.0	10.0	199.0	200.7	204.1	205.4	103.4	3.0	2.9	PXB-10.0-103.4-C
200.0	38.1	199.0	200.7	204.1	205.4	103.4	6.0	4.2	PXB-38.1-103.4-C
200.0	50.8	199.0	200.7	204.1	205.4	103.4	6.4	3.2	PXB-50.8-103.4-C
200.0	12.7	199.2	200.9	204.3	205.6	103.5	3.0	2.8	PXB-12.7-103.5-C
252.0	12.7	250.3	252.4	256.6	258.2	130.0	3.1	3.0	PXB-12.7-130.0-C
252.0	38.1	250.3	252.4	256.6	258.2	130.0	6.0	4.6	PXB-38.1-130.0-C
252.0	50.8	250.3	252.4	256.6	258.2	130.0	7.0	4.5	PXB-50.8-130.0-C
299.0	12.7	297.4	299.9	305.0	306.9	154.5	3.0	2.9	PXB-12.7-154.5-C
299.0	25.4	297.4	299.9	305.0	306.9	154.5	4.0	3.5	PXB-25.4-154.5-C
299.0	50.8	297.4	299.9	305.0	306.9	154.5	6.0	4.0	PXB-50.8-154.5-C
351.0	38.1	348.0	351.0	356.9	359.1	180.8	6.2	5.2	PXB-38.1-180.8-C
351.0	12.7	348.2	351.2	357.1	359.3	180.9	3.1	2.8	PXB-12.7-180.9-C
351.0	50.8	348.2	351.2	357.1	359.3	180.9	6.4	4.6	PXB-50.8-180.9-C
351.0	25.4	348.2	351.2	357.1	359.3	180.9	4.0	3.6	PXB-25.4-180.9-C

(次ページへ続く)

BK7製平凸レンズ、CVI QuantaGlas™

標準焦点距離 f (mm)	直径 D (mm)	f@532 nm (mm)	f@633 nm (mm)	f@1064 nm (mm)	f@1319 nm (mm)	曲率半径 R (mm)	Tc (mm)	Te (mm)	製品番号
401.0	25.4	397.7	401.1	407.8	410.4	206.6	4.0	3.6	PXB-25.4-206.6-C
401.0	50.8	397.7	401.1	407.8	410.4	206.6	7.0	5.4	PXB-50.8-206.6-C
499.0	8.0	495.7	499.9	508.3	511.5	257.5	3.0	3.0	PXB-8.0-257.5-C
501.0	12.7	497.4	501.7	510.0	513.2	258.4	3.0	2.9	PXB-12.7-258.4-C
501.0	25.4	497.4	501.7	510.0	513.2	258.4	4.0	3.7	PXB-25.4-258.4-C
501.0	38.1	497.4	501.7	510.0	513.2	258.4	6.0	5.3	PXB-38.1-258.4-C
501.0	50.8	497.4	501.7	510.0	513.2	258.4	6.4	5.1	PXB-50.8-258.4-C
605.0	25.4	600.6	605.7	615.8	619.7	312.0	4.0	3.7	PXB-25.4-312.0-C
605.0	50.8	600.6	605.7	615.8	619.7	312.0	6.4	5.4	PXB-50.8-312.0-C
705.0	25.4	699.6	705.5	717.3	721.8	363.4	2.2	2.0	PXB-25.4-363.4-C
705.0	50.8	699.6	705.5	717.3	721.8	363.4	7.0	6.1	PXB-50.8-363.4-C
757.0	25.4	751.2	757.5	770.2	775.0	390.2	4.0	3.8	PXB-25.4-390.2-C
757.0	38.1	751.2	757.5	770.2	775.0	390.2	6.0	5.5	PXB-38.1-390.2-C
757.0	12.7	751.2	757.5	770.2	775.0	390.2	4.0	3.9	PXB-12.7-390.2-C
810.0	25.4	804.1	810.9	824.5	829.7	417.7	4.0	3.8	PXB-25.4-417.7-C
810.0	50.8	804.1	810.9	824.5	829.7	417.7	6.4	5.6	PXB-50.8-417.7-C
907.0	50.8	899.4	907.0	922.2	928.0	467.2	7.0	6.3	PXB-50.8-467.2-C
1002.0	12.7	994.5	1002.9	1019.7	1026.1	516.6	3.0	2.9	PXB-12.7-516.6-C
1002.0	50.8	994.5	1002.9	1019.7	1026.1	516.6	6.4	5.8	PXB-50.8-516.6-C
1002.0	38.1	994.5	1002.9	1019.7	1026.1	516.6	5.0	4.6	PXB-38.1-516.6-C
1002.0	25.4	994.5	1002.9	1019.7	1026.1	516.6	4.0	3.8	PXB-25.4-516.6-C
1200.0	25.4	1190.4	1200.6	1220.6	1228.3	618.4	4.0	3.9	PXB-25.4-618.4-C
1200.0	50.8	1190.4	1200.6	1220.6	1228.3	618.4	7.0	6.5	PXB-50.8-618.4-C
1358.0	25.4	1347.5	1359.0	1381.7	1390.4	700.0	4.0	3.8	PXB-25.4-700.0-C
1358.0	50.8	1347.5	1359.0	1381.7	1390.4	700.0	7.0	6.5	PXB-50.8-700.0-C
1456.0	50.8	1443.8	1456.1	1480.4	1489.7	750.0	7.0	6.5	PXB-50.8-750.0-C
1456.0	25.4	1443.8	1456.1	1480.4	1489.7	750.0	4.0	3.8	PXB-25.4-750.0-C
1456.0	38.1	1443.8	1456.1	1480.4	1489.7	750.0	5.0	4.6	PXB-38.1-750.0-C
1513.0	25.4	1500.6	1513.3	1538.6	1548.3	779.5	4.0	3.9	PXB-25.4-779.5-C
1513.0	50.8	1500.6	1513.3	1538.6	1548.3	779.5	6.3	5.9	PXB-50.8-779.5-C
1999.0	25.4	1982.8	1999.7	2033.0	2045.8	1030.0	4.0	3.9	PXB-25.4-1030.0-C
2330.0	25.4	2311.0	2330.7	2369.6	2384.5	1200.5	4.0	3.9	PXB-25.4-1200.5-C
3000.0	25.4	2974.2	2999.5	3049.6	3068.8	1545.0	4.0	3.9	PXB-25.4-1545.0-C
4000.0	25.4	3965.6	3999.3	4066.1	4091.7	2060.0	4.0	3.9	PXB-25.4-2060.0-C
5000.0	25.4	4957.0	4999.1	5082.6	5114.6	2575.0	4.0	3.9	PXB-25.4-2575.0-C
5000.0	50.8	4957.0	4999.1	5082.6	5114.6	2575.0	6.4	6.3	PXB-50.8-2575.0-C